



RX4+ CALIPER BODY_MINERAL OPTION

ASSEMBLY_2021

M5 Bleed Nipple
HBSP339

Large Piston x2
HBSP136

Large Piston Seal x2
HBSP365
RED SEAL

Pad Pin
HBSP204

Large Bore Cap O'Ring
OR 13x1.5 HNBR
RED MARK ON O'RING

Large Bore Cap
HBSP369

Small Bore Cap
HBSP368

Pad Spring
HBSP142

Brake Pad
HBSP323

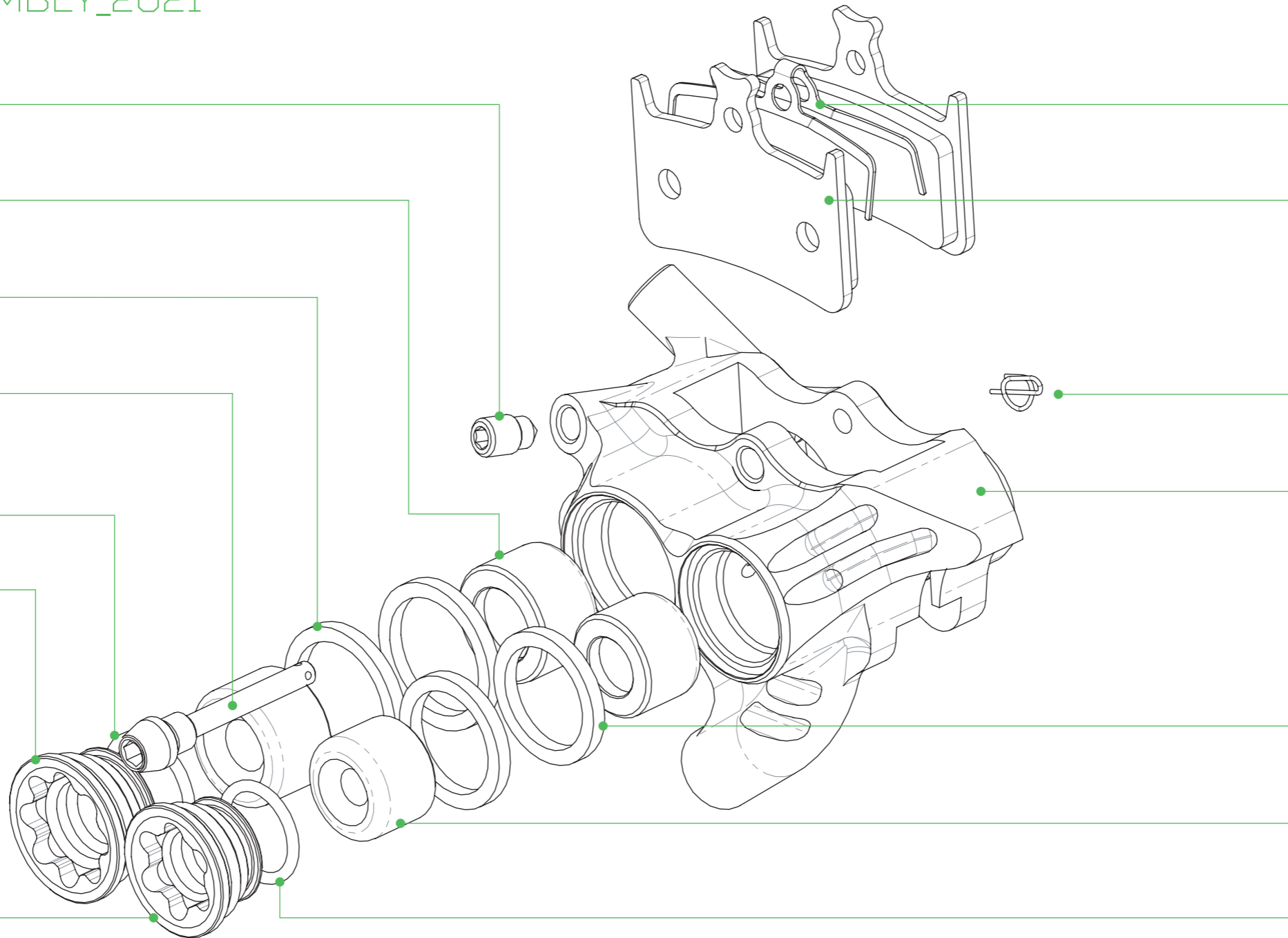
Pad Pin R Clip
HBSP171

RX4+ Caliper Body FM+20
HBSP417

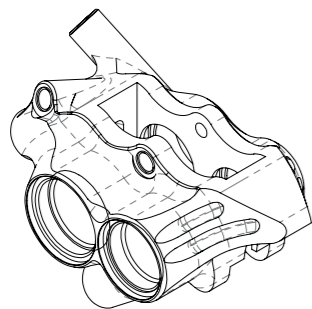
Small Piston Seal x2
HBSP364
RED SEAL

Small Piston x2
HBSP135

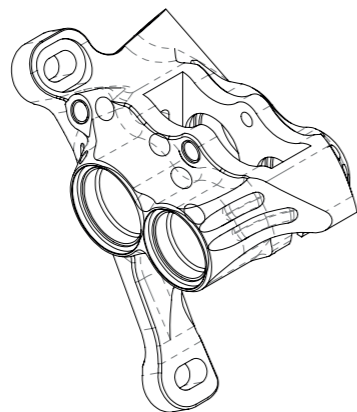
Small Bore Cap O'ring
OR 11x1.5 HNBR
RED MARK ON O'RING



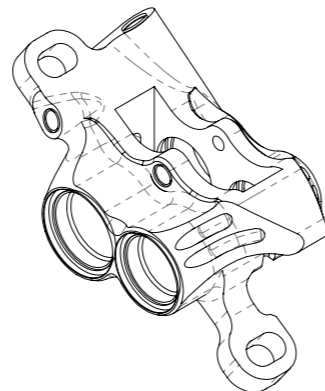
CALIPER BODY VARIATIONS



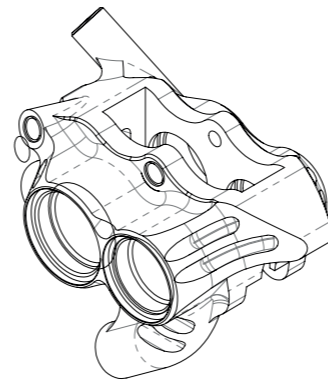
RX4+ Flat Mount
HBSP414



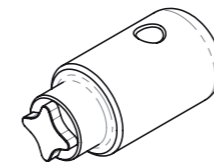
RX4+ Flat Mount Front +20
HBSP415



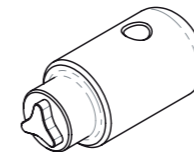
RX4+ Post Front
HBSP416



RX4+ Flat Mount +20
HBSP417



Large Bore Cap Tool
HTTC-TC
NOT TO SCALE



Small Bore Cap Tool
HTTC-TB
NOT TO SCALE



ONLY USE MINERAL OIL WITH THIS CALIPER

- » Compatible supplied piston seals must be **RED**
- » Compatible supplied bore cap O'Ring must have a **RED** distinctive mark on them



RX4+ CALIPER BODY_DOT4_OR_DOT5.1

ASSEMBLY_2021

M5 Bleed Nipple
HBSP339

Large Piston x2
HBSP136

Large Piston Seal x2
HBSP68

Pad Pin
HBSP204

Large Bore Cap O'Ring
HBSP140

Large Bore Cap
HBSP419

Small Bore Cap
HBSP418

Pad Spring
HBSP142

Brake Pad
HBSP323

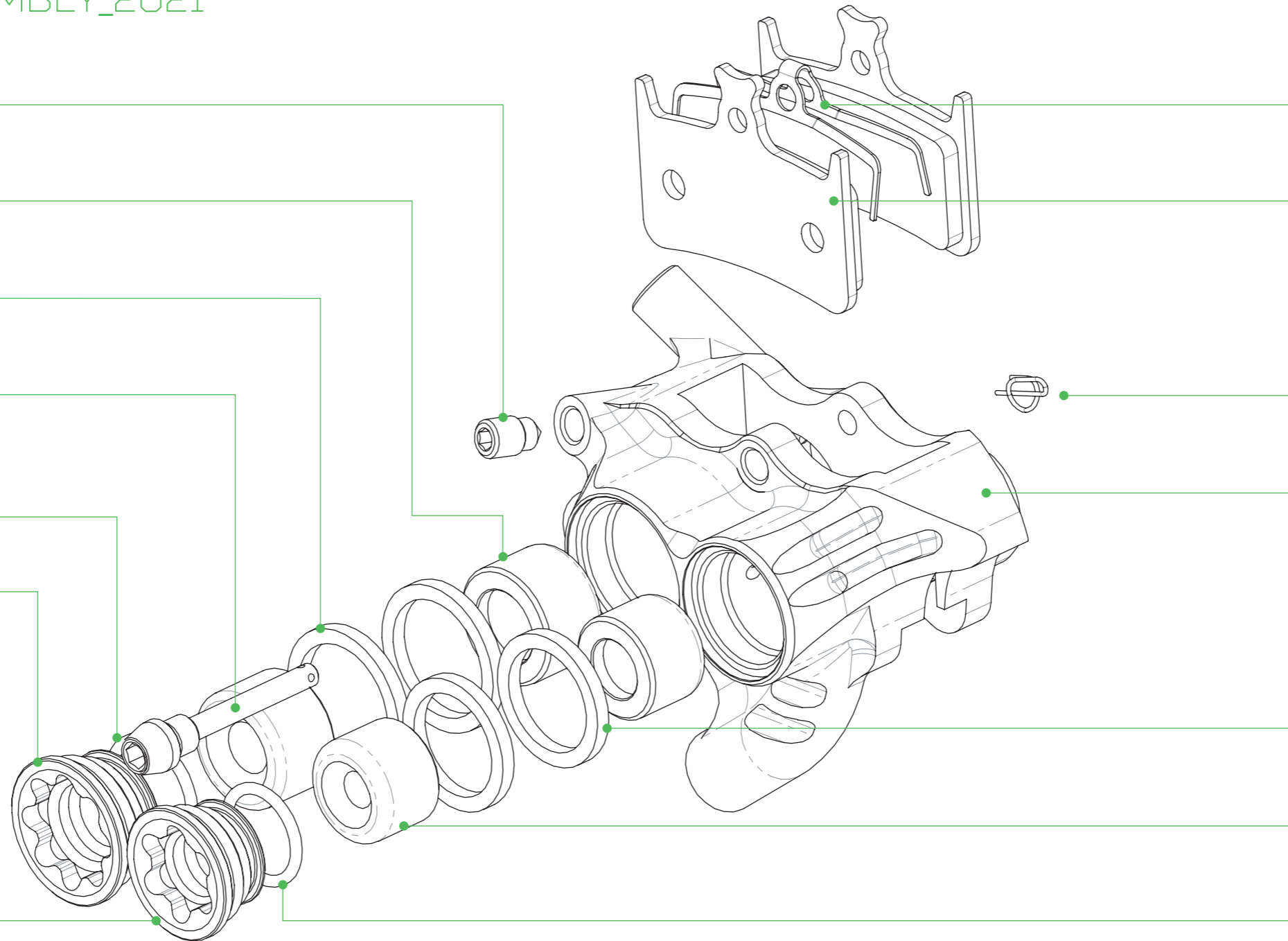
Pad Pin R Clip
HBSP171

RX4+ Caliper Body FM+20
HBSP417

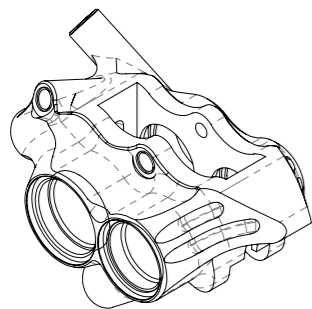
Small Piston Seal x2
HBSP125

Small Piston x2
HBSP135

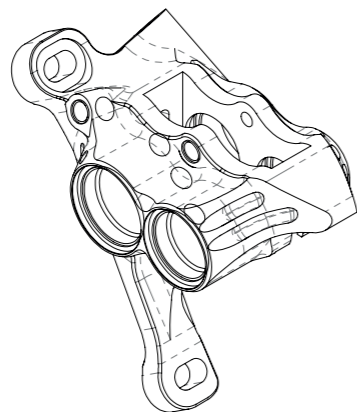
Small Bore Cap O'ring
HBSP138



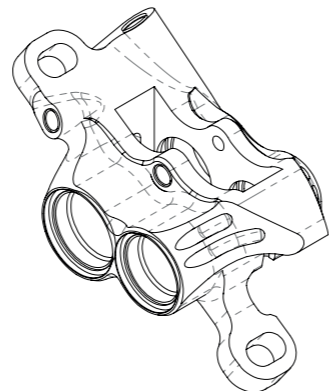
CALIPER BODY VARIATIONS



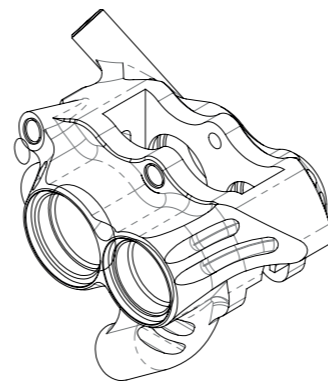
RX4+ Flat Mount
HBSP414



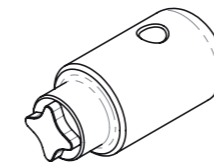
RX4+ Flat Mount Front +20
HBSP415



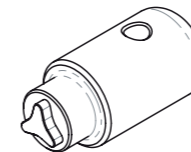
RX4+ Post Front
HBSP416



RX4+ Flat Mount +20
HBSP417



Large Bore Cap Tool
HTTC-TC
NOT TO SCALE



Small Bore Cap Tool
HTTC-TB
NOT TO SCALE



**ONLY USE DOT4 OR
5.1 BRAKE FLUID
WITH THIS CALIPER**