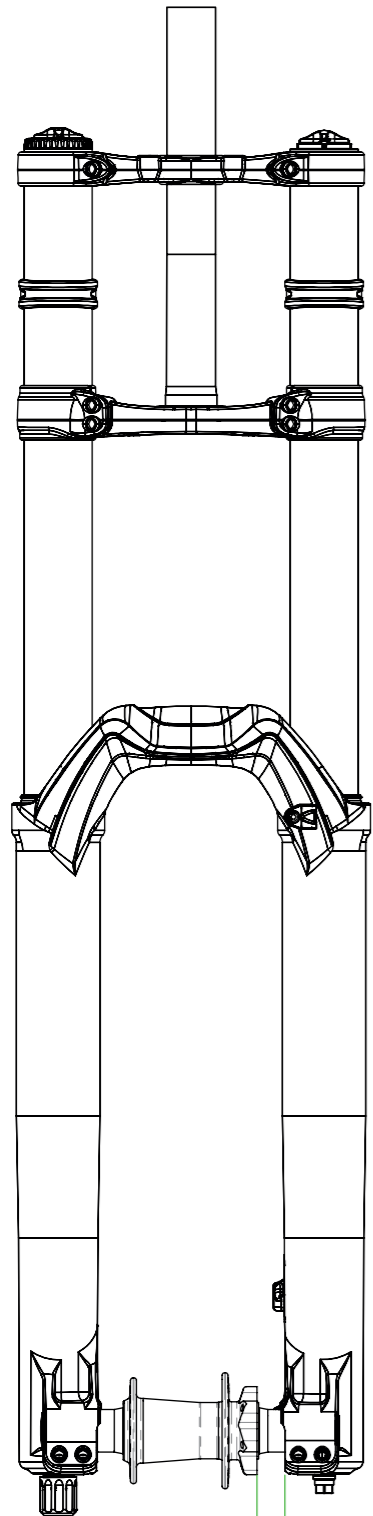


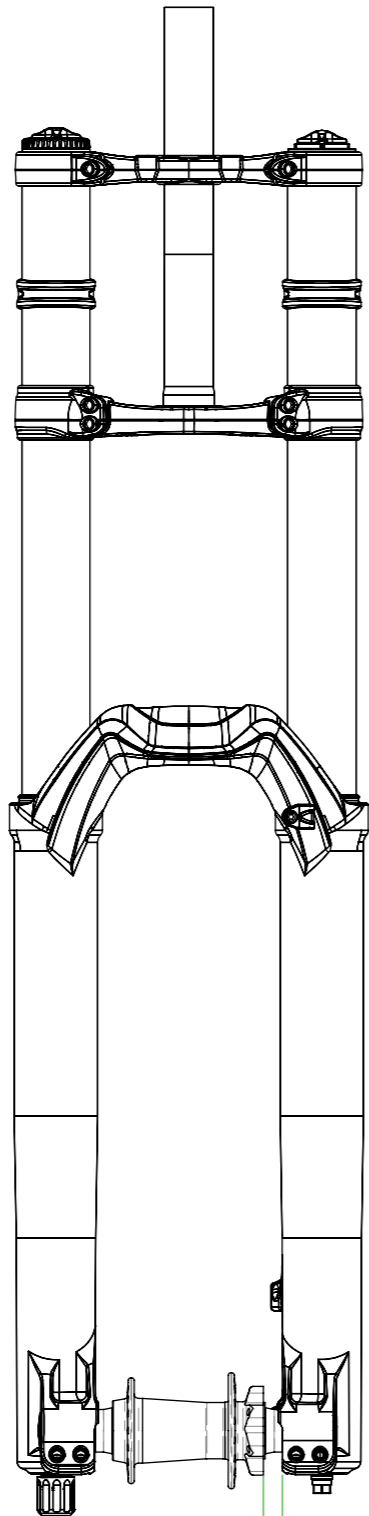


# 20mm FRONT HUBS STANDARD VS BOOST



16.4mm

**110 STANDARD**  
16.4mm Disc offset  
(Distance from dropout to flange)

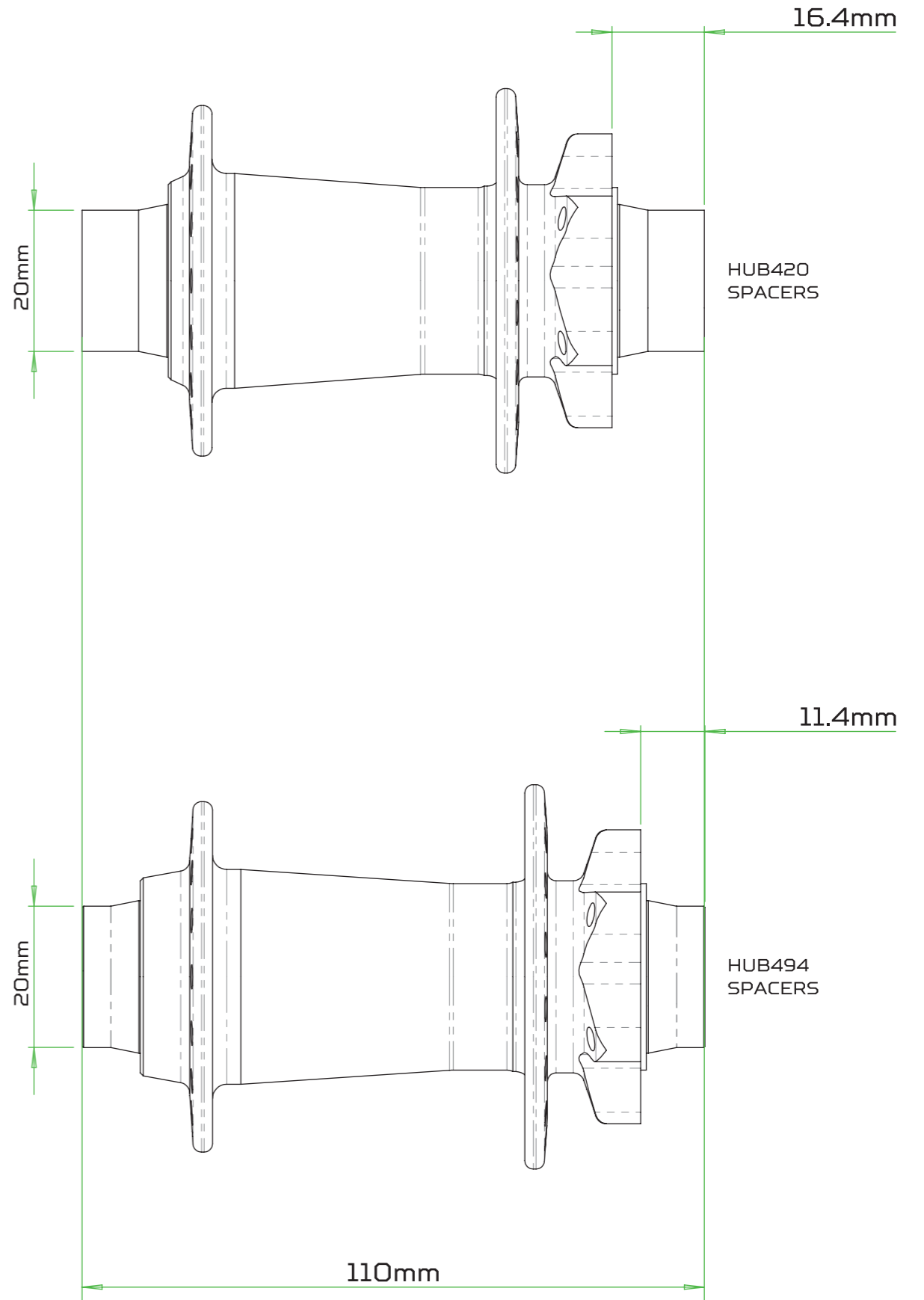


11.4mm

**110 BOOST**  
11.4mm Disc offset  
(Distance from dropout to flange)

**110 STANDARD**  
FHP532N20

**110 BOOST**  
FHP532N20B



16.4mm

HUB420  
SPACERS

20mm

11.4mm

HUB494  
SPACERS

20mm

110mm