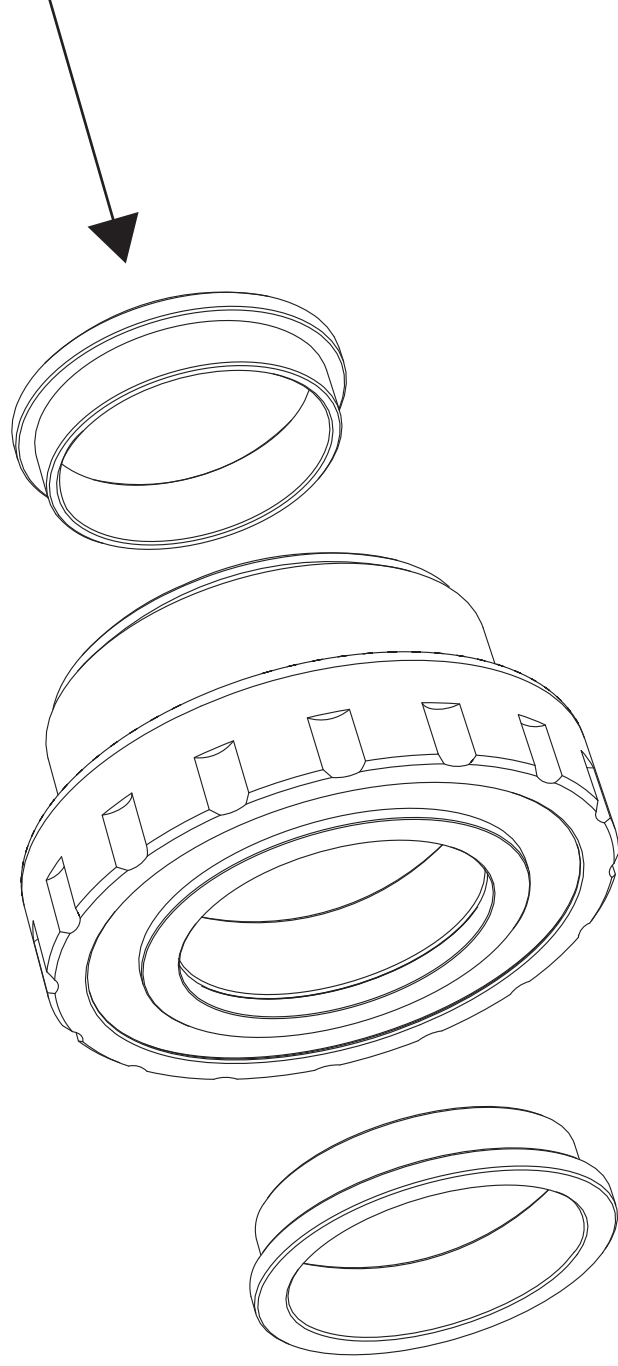


NON-DRIVESIDE CUP



Ensure spacers are
pressed in squarely

The spacers should be pressed into the centre of
the non-drive side bearing before inserting the axle