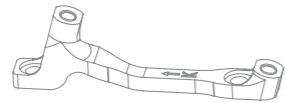




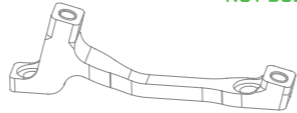
BRAKE ADAPTOR MOUNTS_2021



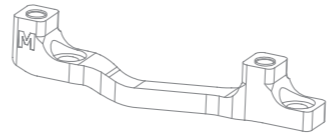
FORK OR FRAME MOUNT TYPE:
POST MOUNT

K  **HBMK**
NOT SUITABLE FOR
V2 / Mono6

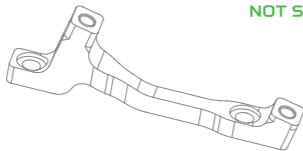
Post Mount 140 > Post Mount 160mm

L  **HBML**
NOT SUITABLE FOR
Mono6

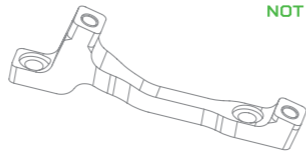
Post Mount 160 > Post Mount 180mm
Post Mount 180 > Post Mount 200mm

M  **HBMM**

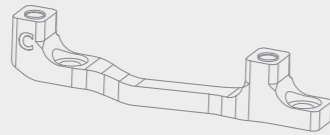
Post Mount 160 > Post Mount 200mm
Post Mount 180 > Post Mount 220mm

P  **HBMP**
NOT SUITABLE FOR
Mono6


Postmount 200 > Post Mount 220mm

Q  **HBMQ**
NOT SUITABLE FOR
V2

Post Mount 203 > Post Mount 220mm

C  **HBMC**

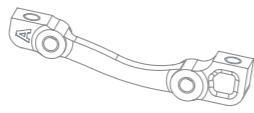
Post Mount 160 > Post Mount 203mm

H  **HBMH**


Post Mount 160 > Post Mount 183mm
Post Mount 180 > Post Mount 203mm



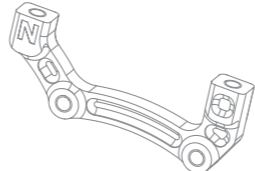
FORK OR FRAME MOUNT TYPE:
INTERNATIONAL STANDARD (IS)

A  **HBMA**
Fits MonoMini and
X2 calipers **ONLY**

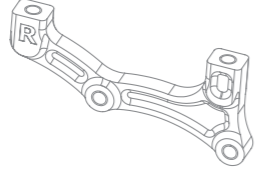
IS Front > Post Mount 160mm
IS Rear > Post Mount 140mm

F  **HBMF**
NOT SUITABLE FOR
Mono6

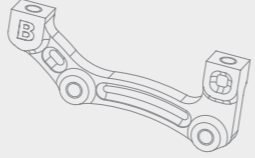
IS Front > Post Mount 180mm
IS Rear > Post Mount 160mm

N  **HBMN**

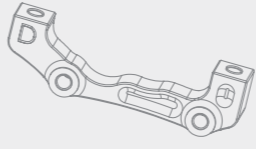
IS Front > Post Mount 200mm
IS Rear > Post Mount 180mm

R  **HBMR**

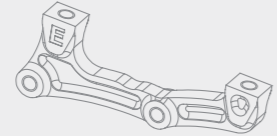
IS Front > Post Mount 220mm
IS Rear > Post Mount 200mm

B  **HBMB**


IS Front > Post Mount 203mm
IS Rear > Post Mount 183mm

D  **HBMD**

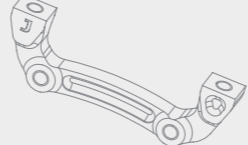
Boxxer > Post Mount 203mm
Pre 2009 forks only

E  **HBME**

FOX40 > Post Mount 203mm
Pre 2014 forks only

G  **HBMG**

IS Rear > Post Mount 203mm

J  **HBMJ**

IS Front > Post Mount 183mm



NOTE: 180, 183,
185, 200, 203 dia.

Over the years there has been some confusion over this "middle" sized disc. Although we will continue to manufacture 183mm discs and their corresponding H and J mounts, we have decided to standardise on the more common 180mm disc size.

NOTE:
Post Mount tab position varies depending on the manufacturers intended minimum disc size.

Please contact the fork or frame manufacturer to identify the Post Mount standard being used.

FUTURE PROOFING:
For future proof assemblies preferably use the following disc sizes:
140 / 160 / 180 / 200 / 220

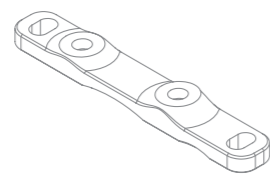
-  Recommended for modern braking systems
-  Less common applications



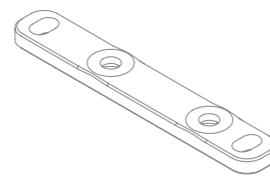
BRAKE ADAPTOR MOUNTS_2021



FORK OR FRAME MOUNT TYPE:
FLAT MOUNT FRONT
F140/160



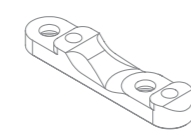
HBMZ
Z Flat Mount Front > Flat Mount 160mm



HBMX
X Flat Mount Front > Flat Mount 140mm



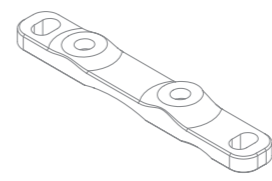
FORK OR FRAME MOUNT TYPE:
FLAT MOUNT REAR
R140/160



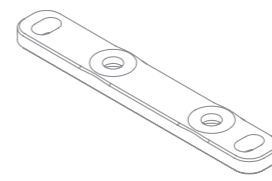
HBMZ
Y Flat Mount Rear > Flat Mount 160mm



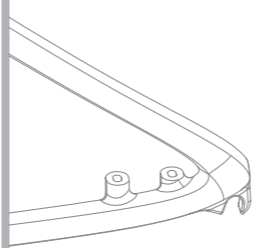
FORK OR FRAME MOUNT TYPE:
FLAT MOUNT FRONT
F160/180



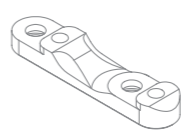
HBMZ
Z Flat Mount Front > Flat Mount 180mm



HBMX
X Flat Mount Front > Flat Mount 160mm



FORK OR FRAME MOUNT TYPE:
FLAT MOUNT REAR
R160/180

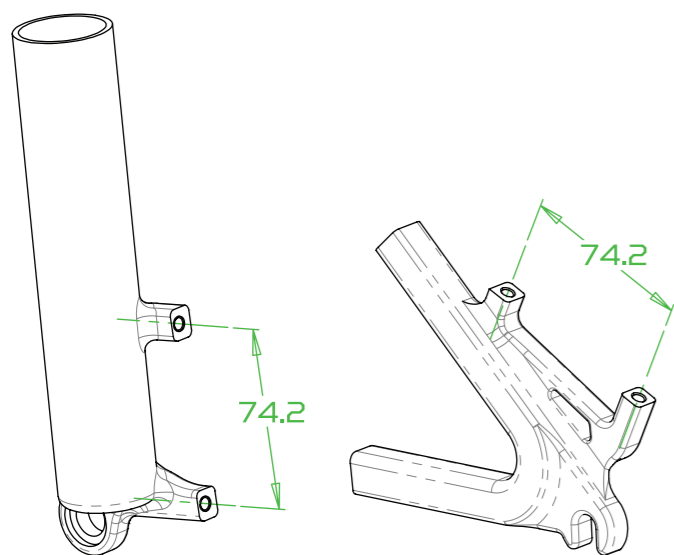


HBMZ
Y Flat Mount Rear > Flat Mount 180mm



BRAKE MOUNT

IDENTIFICATION_2021

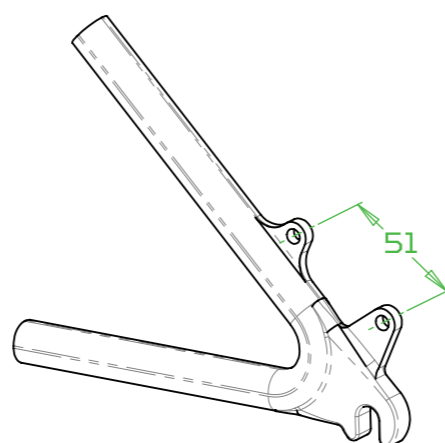


FORK OR FRAME MOUNT TYPE:

POST MOUNT

M6 threaded holes x2

Many variations: [See Warning at the bottom of page](#)

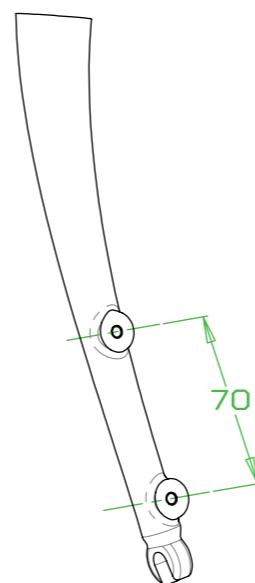


FORK OR FRAME MOUNT TYPE:

IS - INTERNATIONAL STANDARD

Ø6mm holes x2

Two variations: [IS Front](#) and [IS Rear](#)

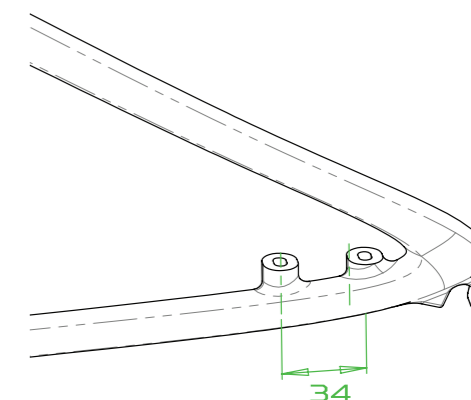


FORK OR FRAME MOUNT TYPE:

FLAT MOUNT FRONT

M5 threaded holes x2

Two variations: [F140/160](#) and [F160/180](#)



FORK OR FRAME MOUNT TYPE:

FLAT MOUNT REAR

Oblong holes for M5 screw x2

Two variations: [R140/160](#) and [R160/180](#)

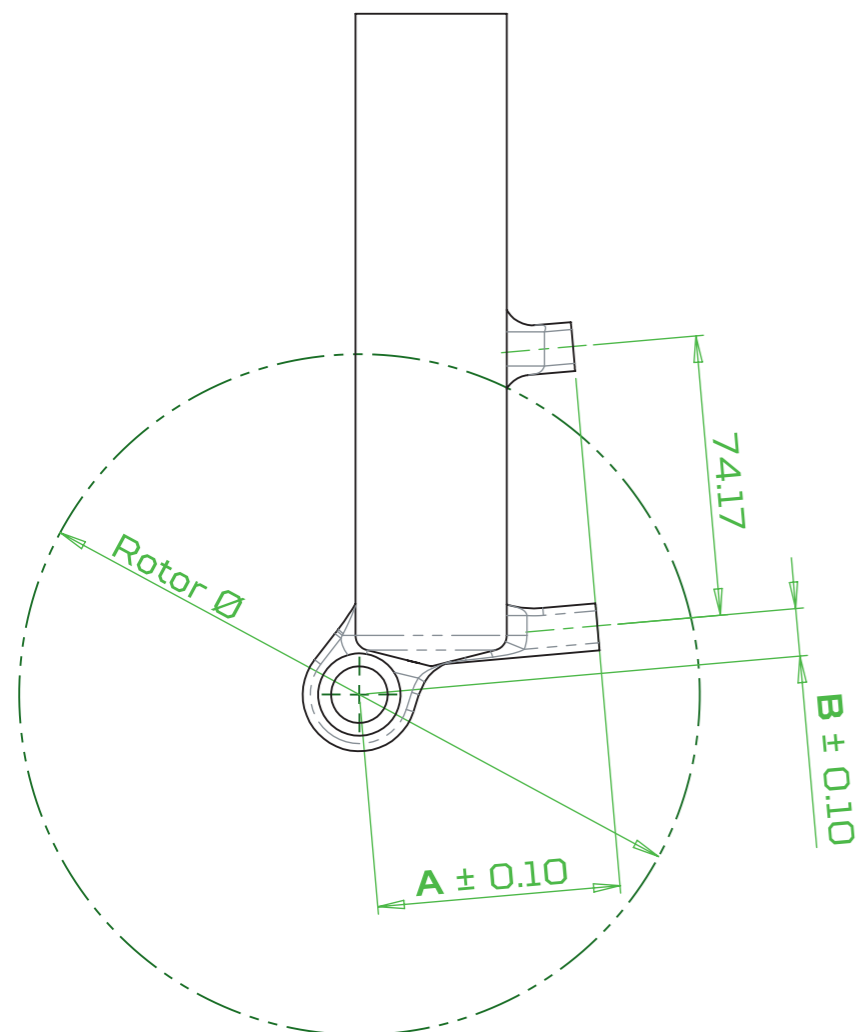


NOTE:

Post Mount tab position varies so it will work with different size disc from Ø140mm to Ø203mm. Post Mount is very common on MTB forks and at the back of most MTB frames.

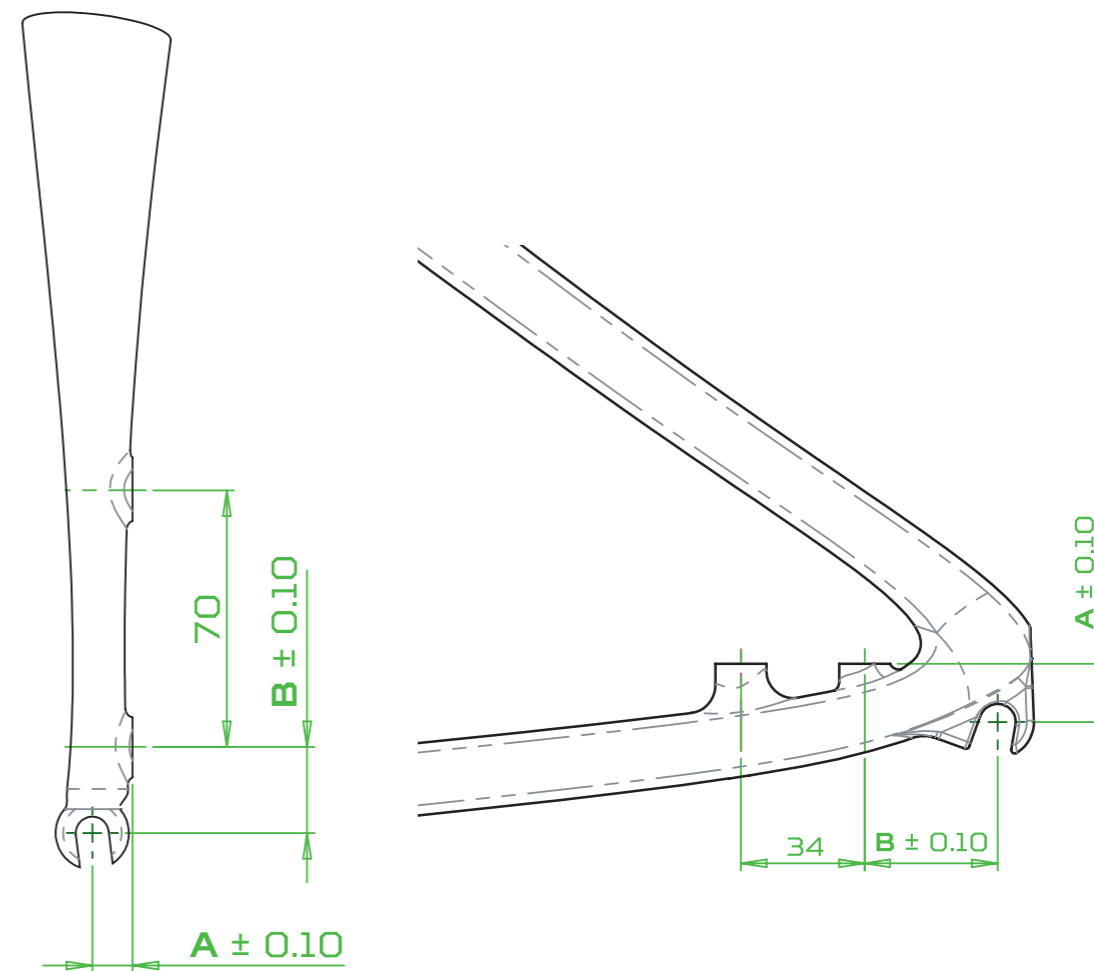
IS can still be found on old forks but more common on frames (IS rear).

Flat Mount is a Road and Gravel bicycle standard.



FRONT: POST MOUNT

POST MOUNT Specification		
Rotor Dia. [mm]	A Dimension [mm]	B Dimension [mm]
140	47.5	1.7
160	55.9	7.1
180	64.3	12.6
200	72.7	18



FRONT: FLAT MOUNT

REAR: FLAT MOUNT

FLAT MOUNT Specification		
Rotor Dia. [mm]	A Dimension [mm]	B Dimension [mm]
Front F140/160	11	23.5
Front F160/180	16.7	32
Rear F140/60	16	36.5
Rear F160/180	21.3	45

NOTE: Sometimes the rear type mounts can be found on front forks!



NOTE:

A Post Mount caliper will fit directly on the forks or frame using the corresponding rotor diameter. If you wish to use a larger rotor, you'll have to use a brake

mount adaptor. See brake mount chart.

There is a specific chart for the fitting of Hope RX4+ calipers on Flat Mounts.