



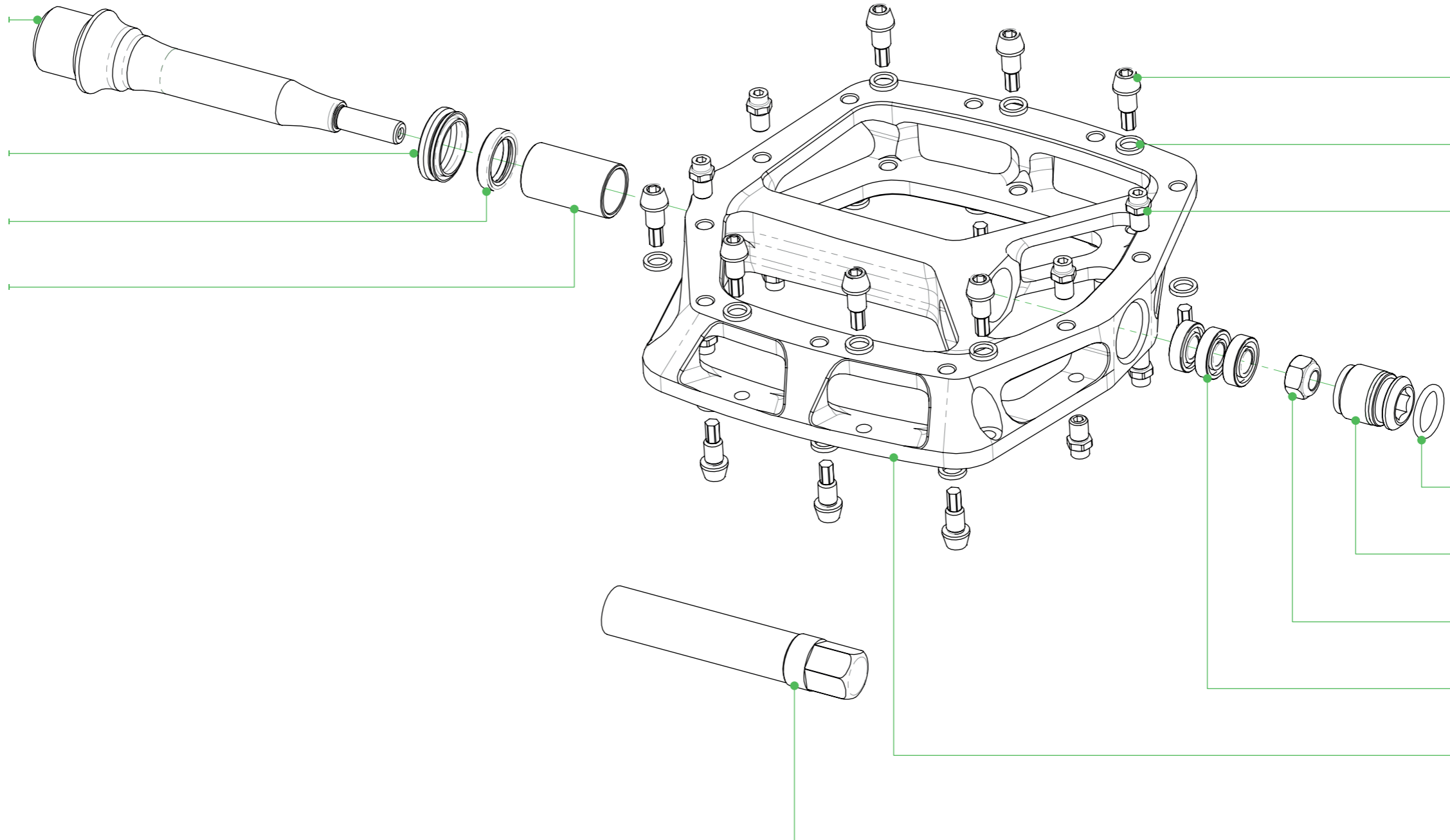
# F22 PEDAL\_ASSEMBLY

**Pedal Axle**  
HPD003-8 (RH)  
HPD003-9 (LH)

**Face Lip Seal**  
PDSP007

**Shaft Double Lip Seal**  
HPD003-7

**Plain Bush**  
PDSP004



**Hex Pedal Pin x14**  
HPD003-4

**1mm Pin Spacer x14**  
HPD001-25

**M4 Pedal Pin x8**  
HPD001-19

**O'Ring Ø9x1.5**  
HBSP290

**End Nut**  
PDSP006

**M5 Locknut**  
HBSP19

**Bearings 5x11x3 (x3)**  
PDSP005

**F22 Pedal Body**  
HPD003-22R  
HPD003-22L

**Service Tool**  
HTT186  
{Sold Separately}