

*hope* | F22

# F22

## PRODUCT DESCRIPTION

The culmination of all our experience making the F20 pedal the F22 is the next evolution of flat pedal from Hope Technology. A new cage and pin design increases stability, shoe support and grip. The proven internal layout remains largely unchanged from the F20 giving strong, smooth long-term durability.

## PRODUCT SPECIFICATIONS

- > Fully CNC machined concave pedal bodies.
- > Optimized shoe/pedal contact area for maximum grip, stability, and control.
- > Eleven pins per side.
- > Hexagonal head pins for increased grip.
- > Adjustable pin height using optional spacer
- > Three cartridge bearings and an IGUS bush for smooth long-term durability - proven on F20.
- > Fully serviceable and re-buildable
- > High strength Cr-Mo, heat treated and plated axle.
- > Weight: 360grams per pair.
- > Six colour options.
- > Two year warranty



# F22

## PLATFORM SIZE

The F22 has 30% more usable surface area than F20.  
105mm x 102mm - Usable

## CAGE SIZE

105mm x 111mm



## PEDAL THICKNESS

14mm Centre  
17mm Outside

- > Asymmetric shape designed to give more support, extending to areas the F20 platform didn't.
- > Careful consideration has been given to getting the right balance between foot stability and clearance in narrow gaps and ruts.



## CONCAVITY

The platform profile is 14mm in the centre, 17mm at the outside. Concavity is enhanced using pins.

## FRONT TO BACK CONCAVITY

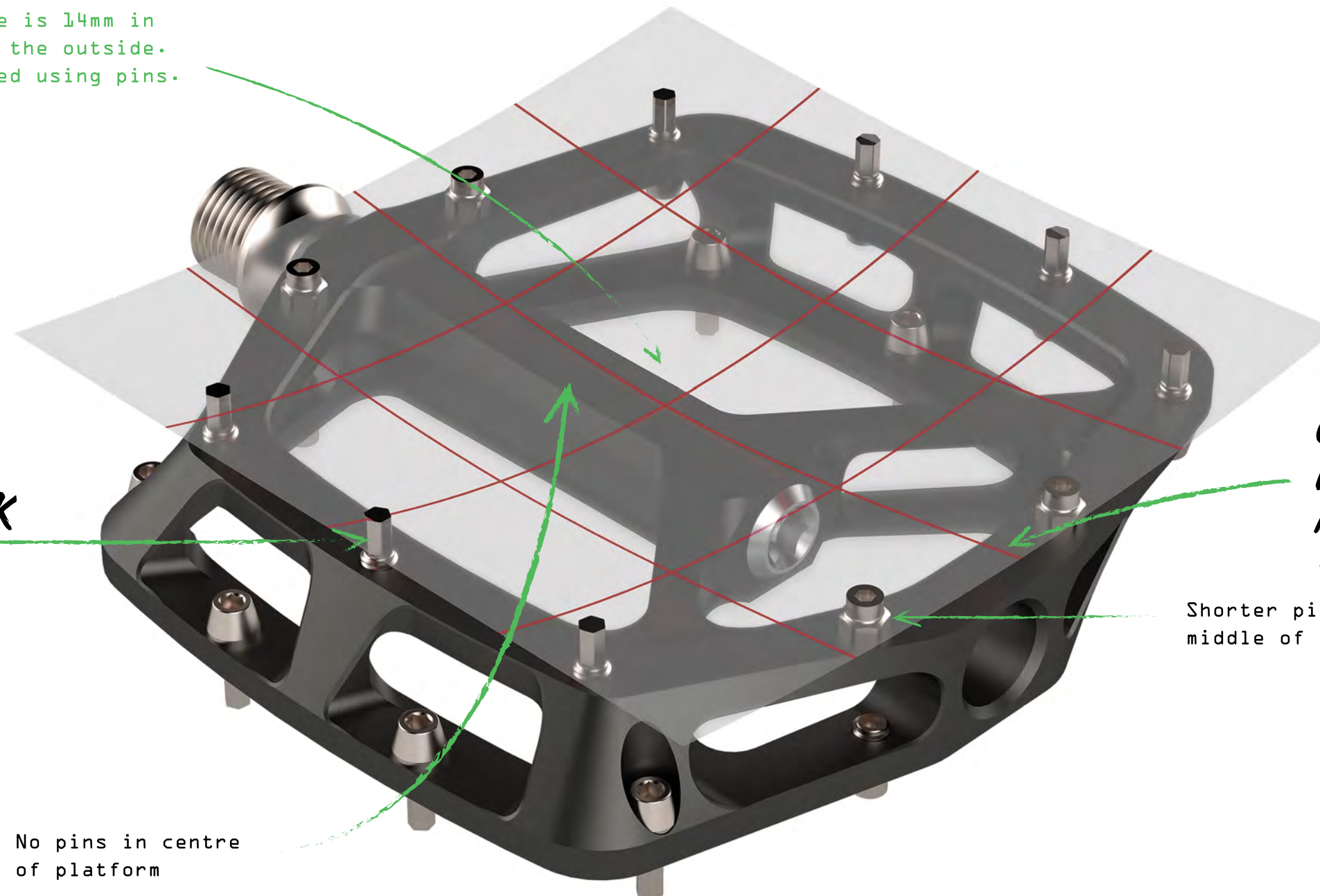
6.5 to 7.5mm

## CONCAVITY LEFT TO RIGHT

5.5mm

Shorter pins in the middle of platform

No pins in centre of platform



> Dual concave profile helps hold the shoe on the platform and give a superior planted feeling.

# F22

## MAIN PINS

Unique hexagonal profile for extra bite and more resistance to side loads.

## SECONDARY PINS

Shorter (4mm) centrally placed to further enhance concavity.

## SPACERS

Pin height adjustable using supplied spacers.

5mm with spacer  
6mm without spacer

## PIN INSTALLATION

Reverse loading design prevents pins coming loose and makes removal easier.

# F22

## IGUS BUSH

Handles impact loads and gives long maintenance free service.

## CARTRIDGE BEARINGS

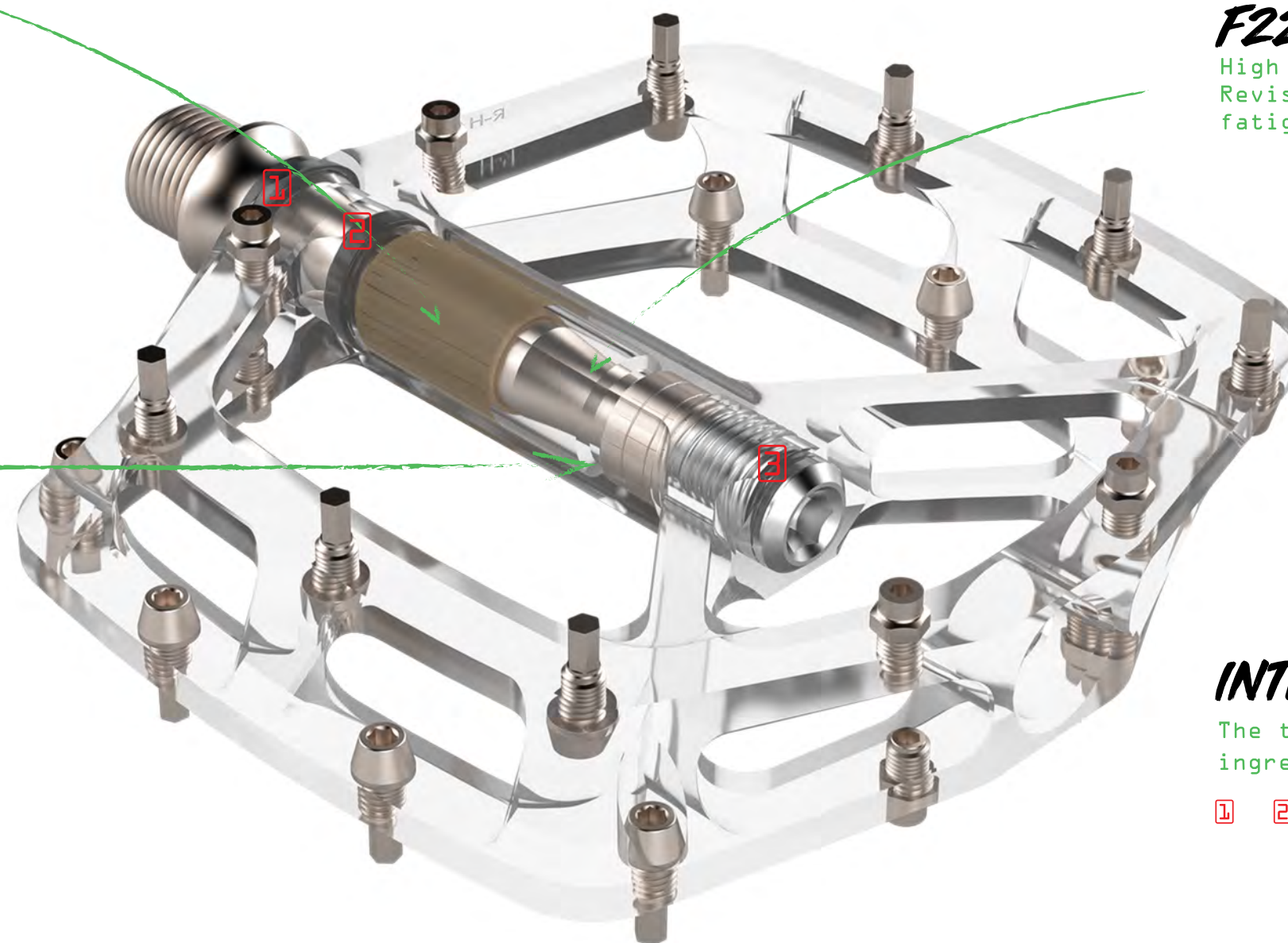
Three bearings ensure smooth running.

## F22 AXLE

High strength Cr-Mo.  
Revised design for improved fatigue and impact resistance.

## INTERNAL SEALS

The three seals prevent any ingress of dirt and debris.



> Proven internal layout of F20 pedal remains for smooth longterm durability.

> Ti axle upgrade available.



# F22





# F22

## PEDAL AXLE

HPD003-8 (RH)  
HPD003-9 (LH)

## FACE LIP SEAL

PDSP007

## SHAFT DOUBLE LIP SEAL

HPD003-7

## PLAIN BUSH

PDSP004

## PEDAL BODY

HPD003-22R  
HPD003-22L

## HEX PEDAL PIN x 14

HPD003-4

## M4 PEDAL PIN x 8

HPD001-19

## 1MM PIN SPACER x 14

HPD001-25

## BEARINGS $\varnothing 5 \times \varnothing 11 \times 3 \times 3$

PDSP005

## M5 LOCKNUT

HBSP19

## END NUT

PDSP006

## O'RING $\varnothing 9 \times 15$

HBSP290