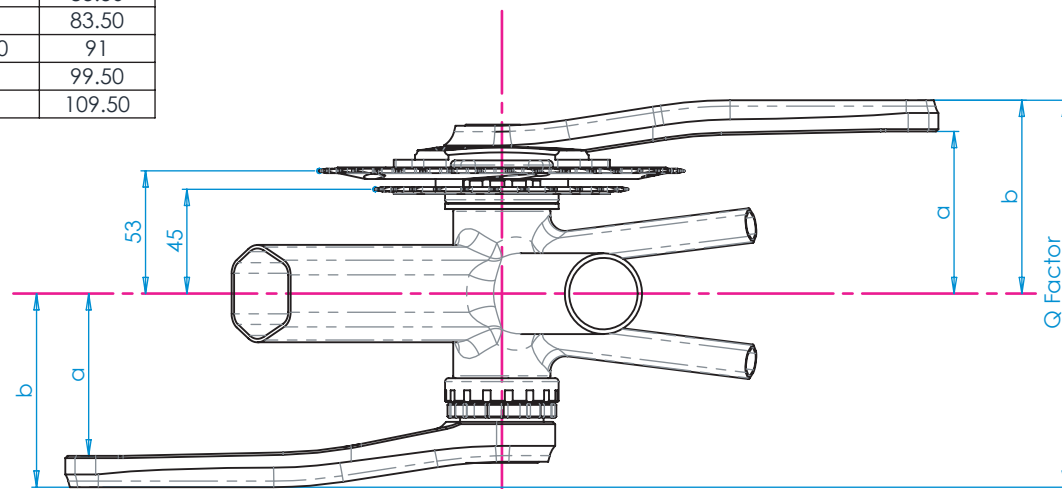


Single ring configuration

Crankset model	Chainline	Shaft length	Q factor	a	b
with 140mm shaft (XC, Enduro, AM)	49	140	167	70	83.50
with 140mm shaft (BOOST hub, 148mm OLD)	52	140	167	70	83.50
with 155mm shaft (DH)	56.50	155	182	77.50	91
FAT bikes (170mm rear hub OLD)	65	172	199	86	99.50
FAT bikes (190mm rear hub OLD)	75	192	219	96	109.50



Double ring configuration

Crankset model	Chainline IR	Chainline OR	Shaft length	Q factor	a	b
with 140mm shaft (XC, Enduro, AM)	45	53	140	167	70	83.50
with 155mm shaft (DH)	52.50	60.5	155	182	77.50	91
FAT bikes (170mm rear hub OLD)	61	69	172	199	86	99.50
FAT bikes (190mm rear hub OLD)	71	79	192	219	96	109.50