



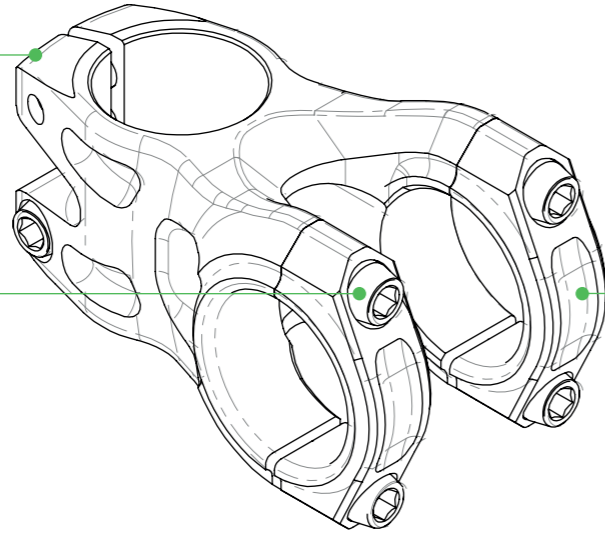
# GRAVITY STEM OVERVIEW

## GRAVITY STEM:

50mm Reach. Ø31.8mm Bar

50mm Reach - Ø31.8 Bar  
STSP042

Tapered Head  
Cap Screw  
M6x20 (x6)



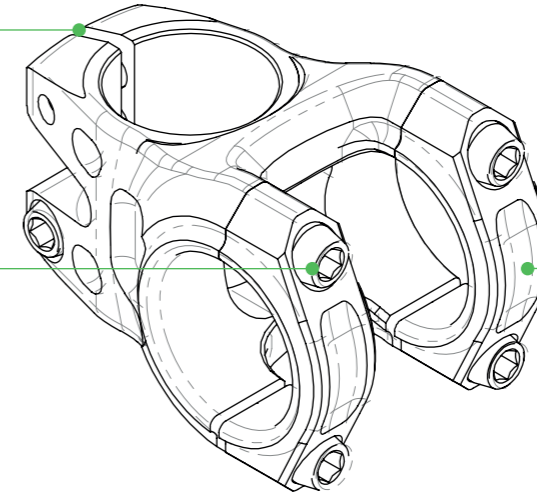
Ø31.8 Front  
Clamp x2  
STSP027

## GRAVITY STEM:

35mm Reach. Ø31.8mm Bar

35mm Reach - Ø31.8 Bar  
STSP044

Tapered Head  
Cap Screw  
M6x20 (x6)



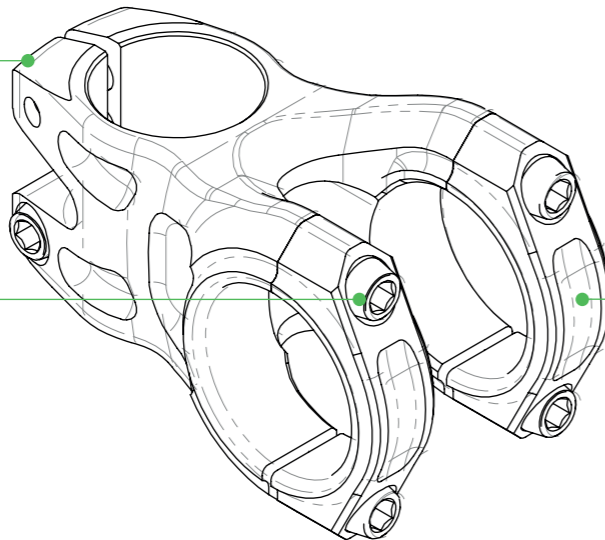
Ø31.8 Front  
Clamp x2  
STSP027

## GRAVITY STEM:

50mm Reach. Ø35mm Bar

50mm Reach - Ø35 Bar  
STSP043

Tapered Head  
Cap Screw  
M6x20 (x6)



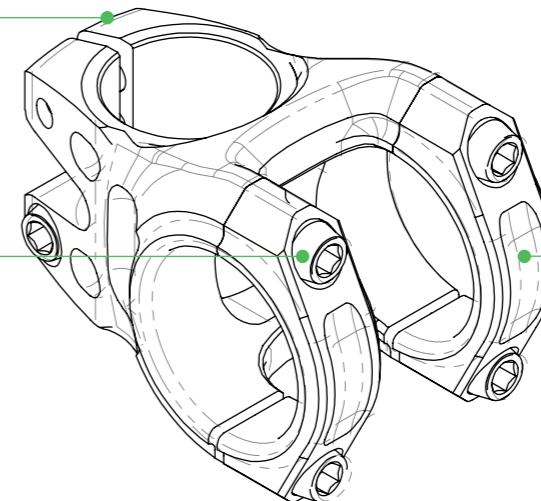
Ø35 Front  
Clamp x2  
STSP041

## GRAVITY STEM:

35mm Reach. Ø35mm Bar

35mm Reach - Ø35 Bar  
STSP045

Tapered Head  
Cap Screw  
M6x20 (x6)



Ø35 Front  
Clamp x2  
STSP041